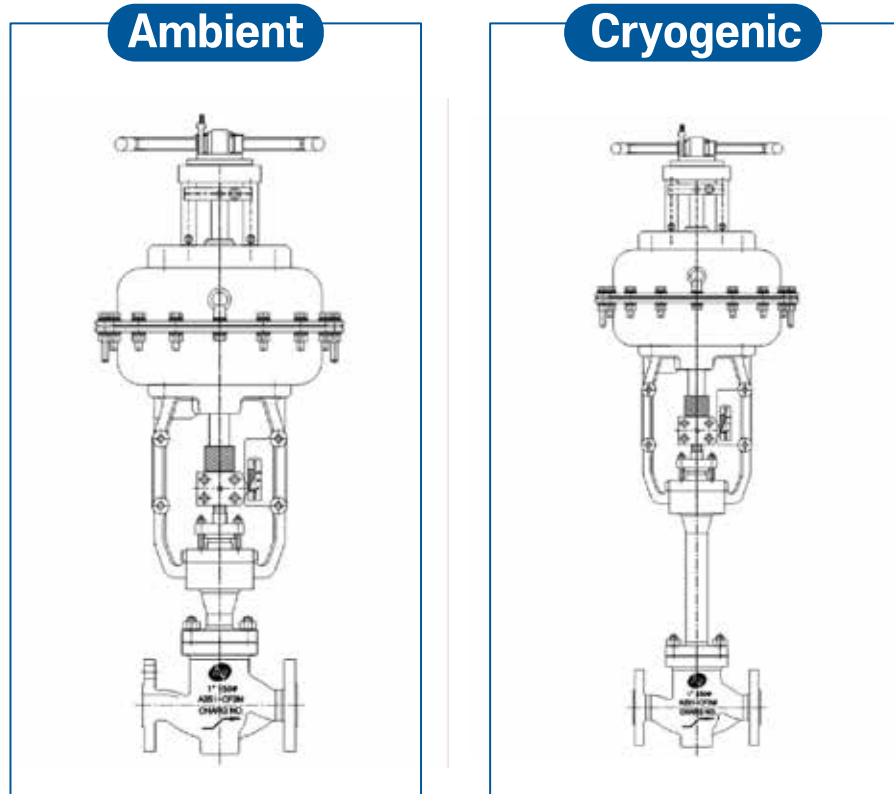


Control Valve



Product Digest

◆ VALVE MODEL



◆ **Body Configuration** Globe(casting, forging)Under/Over the web, RF, BW

◆ **Trim Design** Quick Change Trim, Window Cage, Top-Guided, Cage-Guided

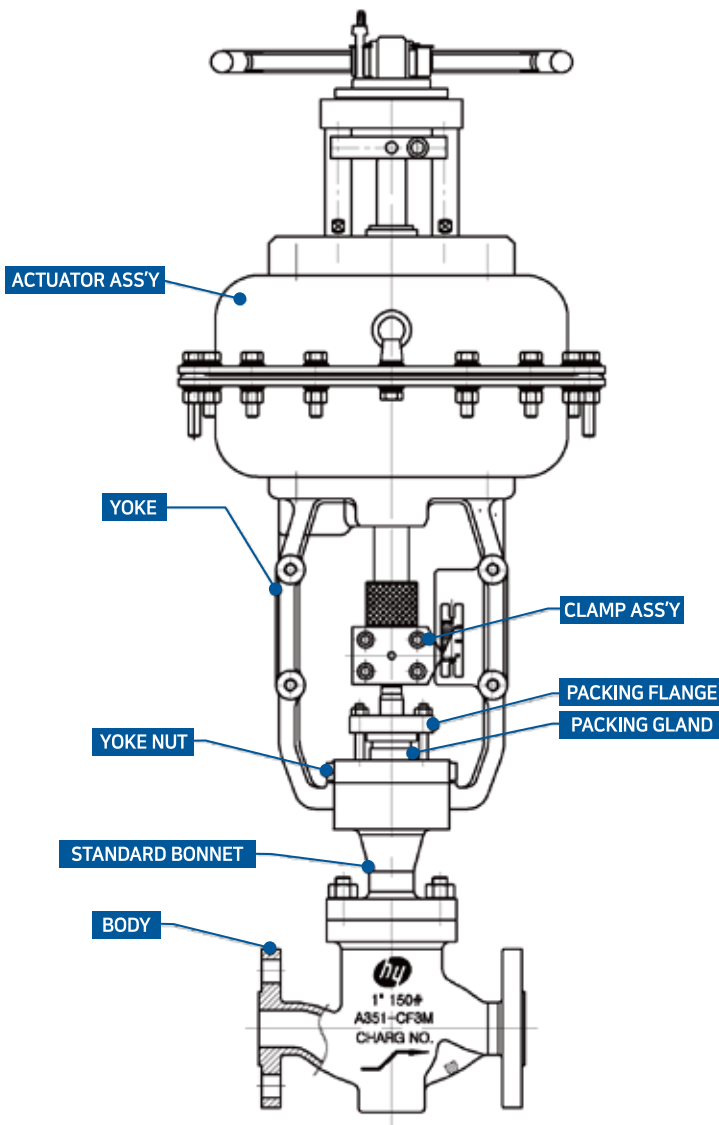
◆ **Leakage Class** Ambient : FCI-70.2
Cryogenic : BS 6364

◆ **Flow Characteristics** EQ%, Linear, Quick Open

- ◆ **Design Feature**
- Quick Response
 - High Resolution
 - Easy Maintenance
 - Wide Application
 - Top Entry Servicing
 - Easy Maintenance
 - Fail Mode, Manual Override

Ambient Control Valve Material&Specification

Ambient



Valve Type

Diaphragm Ambient
Control Valve

Valve Size

1"~16"

Body Rating

ANSI 150~1500

Face to Face Dimensions

RF_ANSI-S75.03/16

BW_ANSI-S75.15

Body Connection

RF/BW/SW/RTJ/ETC.

Body / Bonnet Material

A351-CF3M/CF3/CF8M/CF8
/ETC.

Trim(Plug/Cage/Seat)Material

A276-316L

Gasket

316SS+GRAPHITE

Packing

GRAPHITE

Flow Characteristics

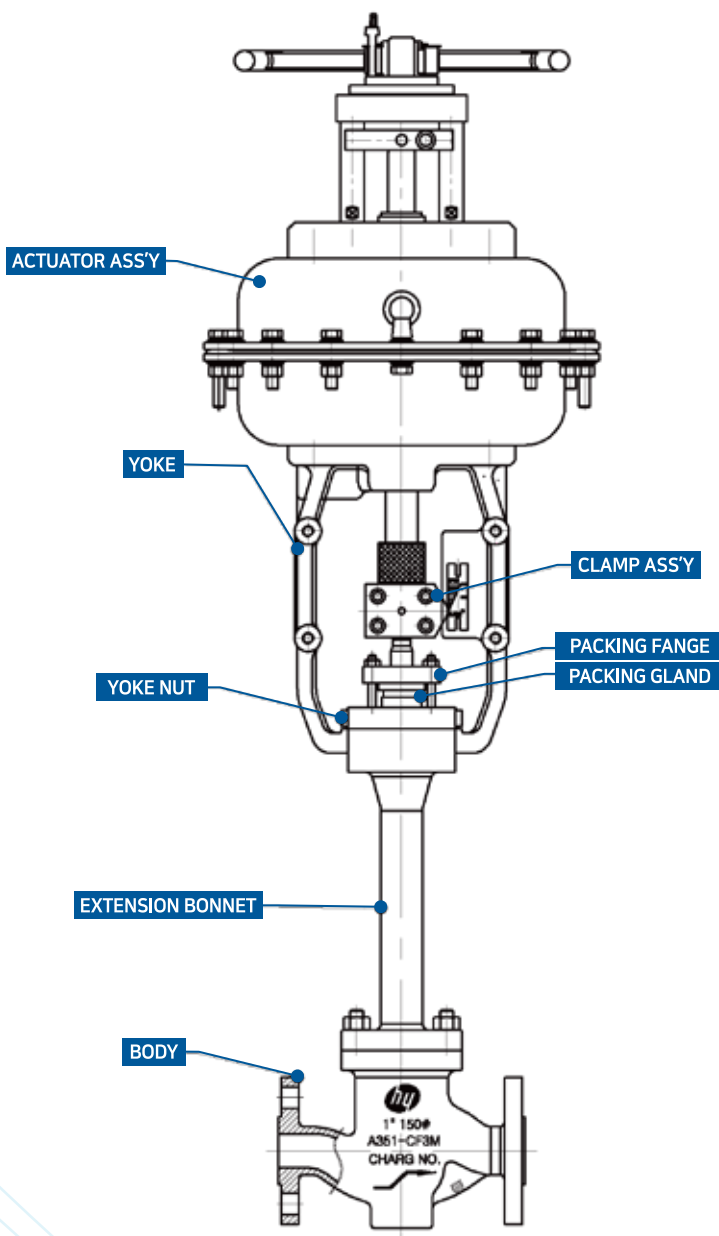
EQ%, Linear, Quick Open, Etc

Ambient Seat Leakage(Standard)

ANSI FCI 70.2
Class IV, V, VI

Cryogenic Control Valve Material&Specification

Cryogenic



Valve Type

Diaphragm Ambient
Control Valve

Valve Size

1"~16"

Body Rating

ANSI 150~1500

Face to Face Dimensions

RF_ANSI-S75.03/16
BW_ANSI-S75.15

Body Connection

RF/BW/SW/RTJ/ETC.

Body / Bonnet Material

A351-CF3M/CF3/CF8M/CF8
/ETC.

Trim(Plug/Cage/Seat)Material

A276-316L

Gasket

316SS+GRAPHITE

Packing

GRAPHITE

Flow Characteristics

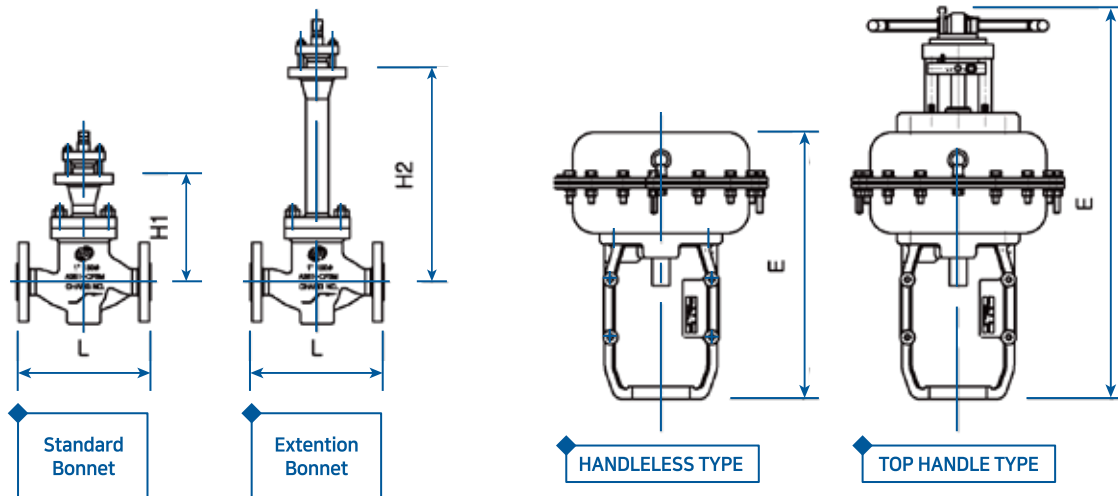
EQ%, Linear, Quick Open, Etc

Ambient Seat Leakage(Standard)

BS6364

DIMENSION TABLE

◆ CONTROL VALVE

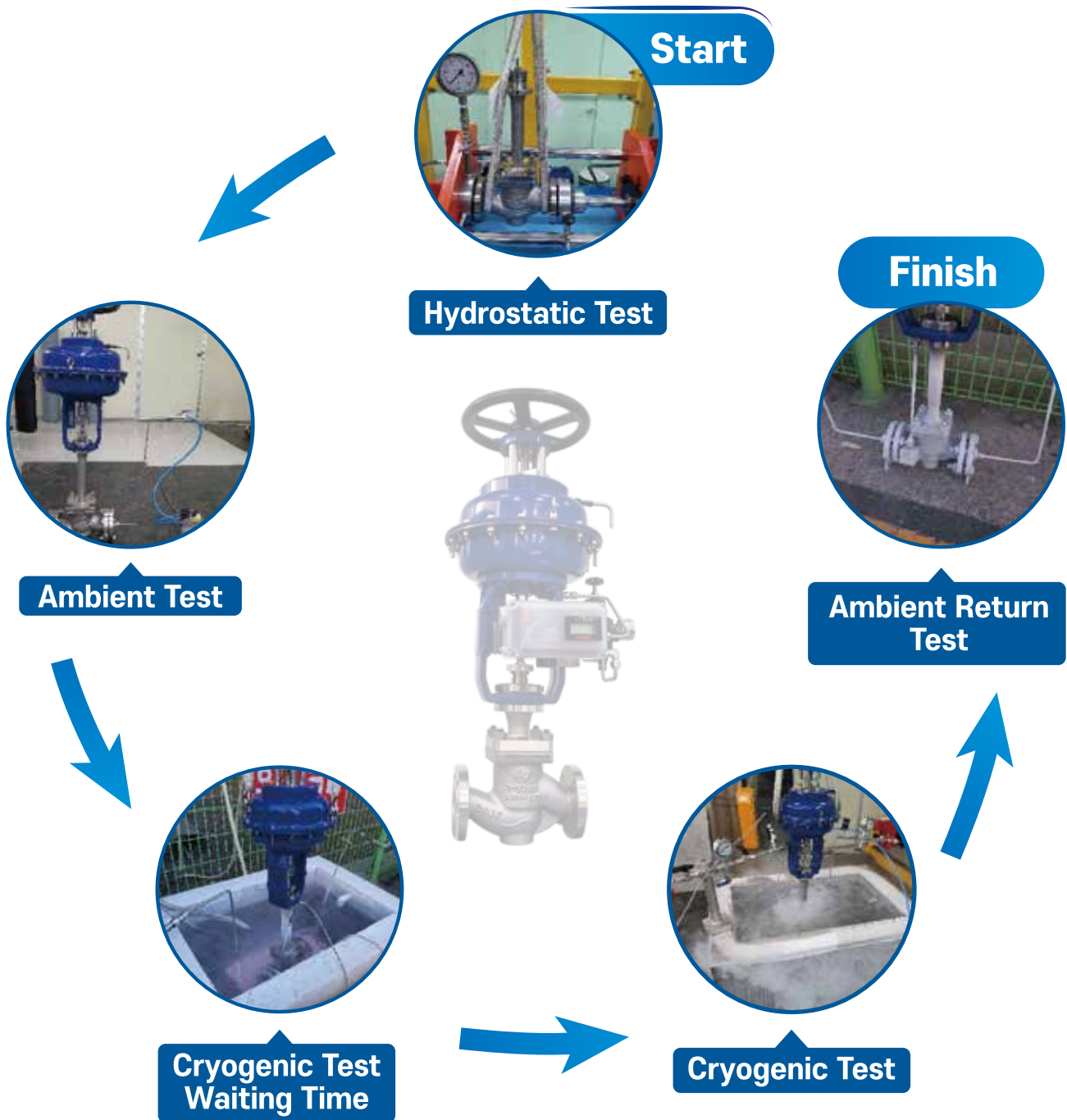


ANSI Class																				
VALVE SIZE	#150				#300				#600				#900				#1500			
	L		H1	H2	L		H1	H2	L		H1	H2	L		H1	H2	L		H1	H2
	RF	BW			RF	BW			RF	BW			RF	BW			RF	BW		
1"	184	210	150	293	197	210	165	300	210	210	165	300	273	279	210	375	273	279	210	375
1-1/2"	222	251	168	359	235	251	165	300	251	251	165	300	333	330	210	375	333	330	210	375
2"	184	286	180	371	267	286	180	365	286	286	180	365	375	375	245	470	375	375	245	470
2-1/2"	184	292	200	375	292	292	200	375	311	292	270	390	410	375	220	505	410	375	285	505
3"	184	318	230	456	318	318	225	465	337	318	245	490	441	460	324	550	460	460	324	550
4"	184	368	266	486	368	368	260	530	394	368	305	555	511	530	365	625	530	530	365	625
5"	184	425	320	615	425	425	320	615	457	425	330	655	514	533	420	675	533	533	420	675
6"	184	508	335	385	473	508	335	655	508	508	345	745	714	768	460	875	768	768	460	875
8"	184	610	385	655	568	610	335	655	610	610	345	745	914	832	460	875	972	832	460	875
10"	184	752	425	745	708	752	485	800	752	752	470	900	991	991	480	885	1067	991	480	885
12"	184	775	465	800	775	775	465	800	819	819	485	490	1130	1130	520	1030	1030	1130	520	1030
14"	184	927	535		927	927	535													
16"	1016	1108	535		1057	1108	535													

◆ Actuator Height (E)

ITEM SIZE	D1(Ø 250)	D2(Ø 290)	D3(Ø 370)	D4(Ø 480)	D4(Ø 550)
Handleless Type	333	372	413	629	678
Top Handle Type	473	537	578	X	X

Control Valve Test Flow Diagram



CONTROL VALVE TEST REPORT & CERTIFICATES

◆ CERTIFICATES



KR

◆ ISO 9001



◆ KRIS TEST REPORT



1" 150#



1-1/2" 150#



2" 150#



hy HWA YOUNG CO.

본사

경남 김해시 분성로 579번길 33(어방동)

T. 055-322-2201

055-322-2208

www.hwa-young.com



제 2공장 (밸브 사업부)

부산광역시 강서구 미음동 1549-4

H. 010-3108-3663

E. myyoun@hwa-young.com